

Parts List



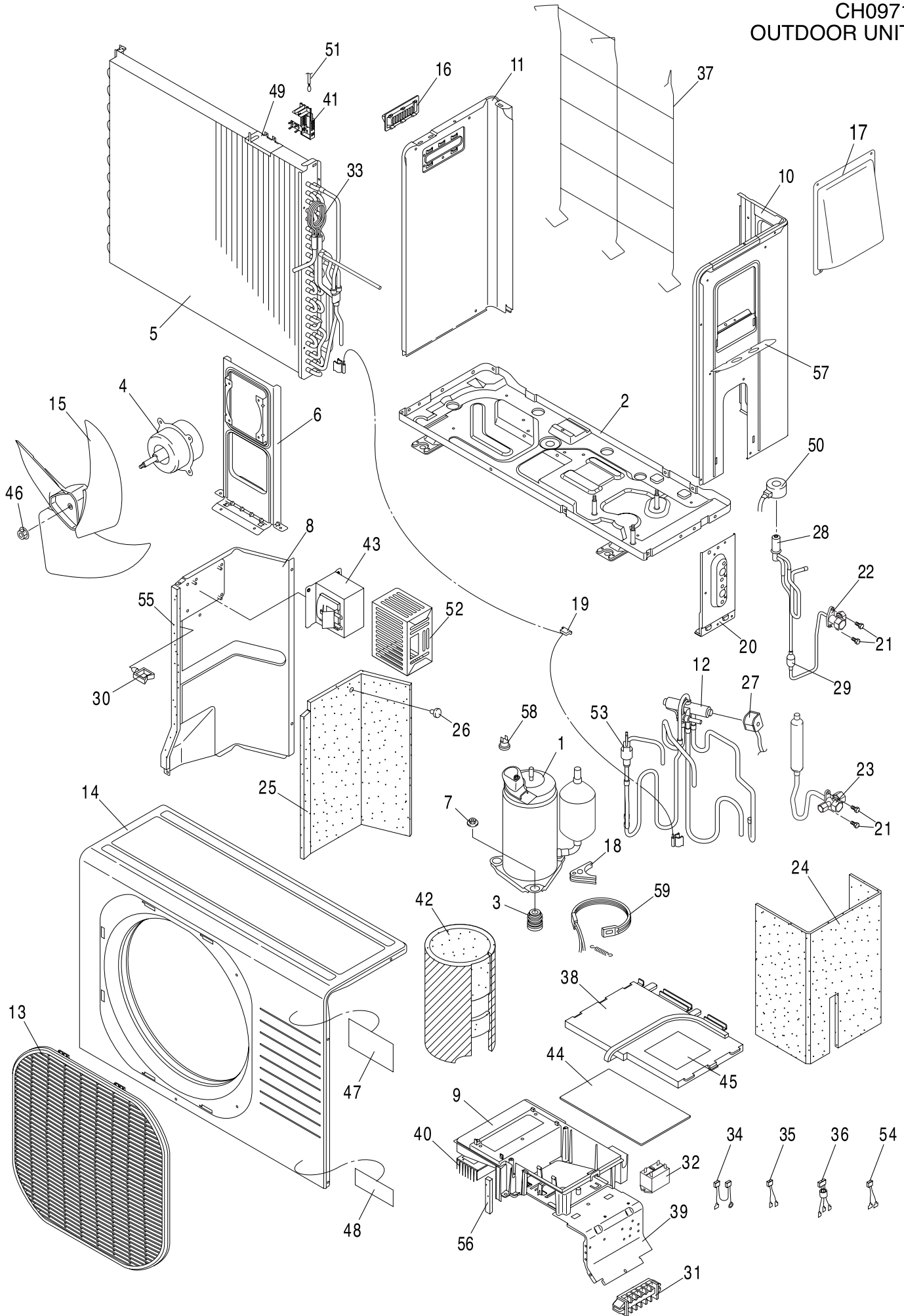
File No.

Air Conditioner

OUTDOOR UNIT
CH0971

Model No.	Prod.Code	Volt-Phase-Hertz
CH0971	1 852 330 21	115-1-60

CH0971
OUTDOOR UNIT



ATTENTION !

To ensure correct parts supply, please let us know followings,
when you make service parts order:

1.Part No. 2.Description 3.Q'ty 4.Volts-Hz-Ph 5.Product Model No.

CH0971
OUTDOOR UNIT

Key No.	Part No.	Description	Q'ty	Reference No.
* 1	623 190 7873	Comp Sub Ass'y G4C090LU1ER	1	852-0-4526-33800
2	623 189 2445	Bottom Plate Ass'y	1	852-0-2202-78901
3	623 163 7497	Cushion Rubber	3	852-2-2390-23100
* 4	623 190 7859	Fan Motor DAJ12-55J71-CU	1	1FA-4-M4A0-07750
5	623 190 8177	Heat Exch Cond Ass'y	1	852-0-4119-19300
6	623 190 7835	Mounting Plate, Fan Motor	1	852-2-2354-29910
7	623 163 5646	Nut Special	3	852-2-2226-10301
8	623 190 7828	Partition Plate	1	852-2-2202-40311
9	623 190 7941	Elec. Component Box	1	852-2-5307-70301
10	623 190 7934	Side Panel	1	852-2-1114-40810
11	623 190 7927	Side Panel	1	852-2-1114-39611
* 12	623 190 8184	Solenoid Valve Ass'y STF-01U1G	1	852-0-4509-22700
13	623 190 7910	Guard	1	852-2-1321-22611
14	623 190 7903	Cabinet	1	852-2-1112-30711
15	623 190 7897	Propeller Fan	1	852-2-2502-19411
16	623 190 7880	Handle	1	852-2-2303-17711
17	623 190 7958	Cover Ass'y	1	852-0-2309-24800
18	623 178 0896	Mounting Rubber, Tube	1	852-2-4313-16600
* 19	623 181 1392	Thermistor DTN-TKS274Y	1	1FA-4-V2E0-25700
20	623 190 8153	Support Valve	1	852-2-2222-38111
21	623 090 6907	Deltite Screw	4	3-9201-61601
22	623 178 2586	Valve Ass'y 1/4"	1	852-0-4515-40200
23	623 178 2579	Valve Ass'y 3/8"	1	852-0-4518-26200
24	623 177 7193	Insulation	1	852-2-2476-68100
25	623 178 2609	Insulation	1	852-2-2476-67500
26	623 143 2009	Clip	1	852-2-5327-10600
* 27	623 190 8191	Magnetic Coil STF-G01	1	1FA-4-L8A0-36200
28	623 178 2593	Elec Exp Valve Ass'y	1	852-0-4524-16900
29	623 155 2424	Strainer Ass'y	1	852-0-4506-19500
30	623 176 7224	Saddle	1	851-2-5368-00800
31	623 096 5041	Terminal Base JTU20-6U	1	4-2379-56228
* 32	623 190 7965	Power Relay EL100/120A1F(M)-	1	1FA-4-S2A0-20600
33	623 149 3505	Capillary Tube	2	852-2-4268-19000
* 34	623 190 8085	Wire Ass'y	1	8FA-0-5285-68900
* 35	623 190 8078	Wire Ass'y	1	8FA-0-5285-69000
* 36	623 190 8030	Wire Ass'y COMP SIDE WIRE K	1	8FA-0-5285-78800
37	623 190 8023	Guard Ass'y	1	852-0-1111-23701
38	623 190 8016	Cover,Elec.Component Box Ass'y	1	852-0-5302-30400
39	623 190 8009	Mounting Plate	1	852-2-2385-15301
40	623 190 7996	Cooler A6063S-T5	1	852-2-4127-24001
41	623 171 9278	Mounting Thermostat	1	852-2-5303-24501
42	623 178 2661	Insulation	1	852-2-2476-68300
* 43	623 155 6378	Solenoid R502ADS-T	1	1FA-4-L5C0-02900
* 44	623 190 8214	Circuit Board Ass'y CB-CH0971-C	1	8FA-0-5181-17000
45	623 190 8207	Elec. Wiring Diagram	1	8FA-2-5257-69100
46	623 097 4500	Frange Nut	1	3-9277-06021
47	623 178 2630	Mark	1	852-2-1316-42901
48	623 161 1497	Label	1	854-2-1358-95900
49	623 190 8122	Mounting Plate	1	852-2-2309-97611
* 50	623 178 2692	Magnetic Coil YPF-Y018F	1	1FA-4-L8A0-33100

NOTE: Metal and plastic parts will be supplied basically with necessary heat insulation pads or packing. Each key number with an asterisk (*) means the recommended service parts.

ATTENTION !

To ensure correct parts supply, please let us know followings,
when you make service parts order:

1.Part No. 2.Description 3.Q'ty 4.Volts-Hz-Ph 5.Product Model No.

CH0971
OUTDOOR UNIT

Key No.	Part No.	Description	Q'ty	Reference No.
* 51	623 171 9421	Thermistor DTN-TKS269B	1	1FA-4-V2E0-15700
52	623 190 8115	Cover,Elec.Component Box	1	852-2-5315-49001
* 53	623 190 8108	Sw K ACB-JB154	1	8FA-0-5257-02200
* 54	623 190 8092	Wire Ass'y REACTOR SIDE WIR	1	8FA-0-5285-79300
55	623 190 7989	Packing	1	852-2-2380-75610
56	623 190 8047	Packing	1	852-2-2380-98010
57	623 190 7972	Conduit Plate	1	852-2-1319-44800
* 58	623 190 7637	Thermostat CS-7L115	1	4-2339-60069
* 59	623 190 8221	Heater K	1	8FA-0-5255-02800

NOTE: Metal and plastic parts will be supplied basically
with necessary heat insulation pads or packing.
Each key number with an asterisk (*) means the
recommended service parts.



SANYO Electric Co.,Ltd
Osaka, Japan
12/05 Printed in Japan